

MAZ - MAN



TRUCK TRACTORS MAZ-MAN 640168

6x2



CONSTRUCTIONAL ADVANTAGES OF THE VEHICLE:

- high draft dynamics due to the function of redistribution of payload.



- high load capacity.
- increased economy in comparison with vehicles with wheel arrangement 4x2.
- high smoothness of motion.
- fifth wheel height allows to use semi-trailers of high capacity (up to 90 m³).
- additional fuel and tire economy at deadheading.



Gross mass of truck trailer, kg	up up 44 000
Equipped truck mass, kg	8 300
Fifth wheel load, kg	up up 16 500
Fifth wheel height, mm	1150 (1250)
Engine	Euro-3 (Euro-2)
Engine power, kw (h.p.)	301 (410)

Standard of quality!



JSC "MAZ-MAN"
MANUFACTURING PLANT
HEAVY LOAD TRUCKS
OF WEST-EUROPEAN QUALITY

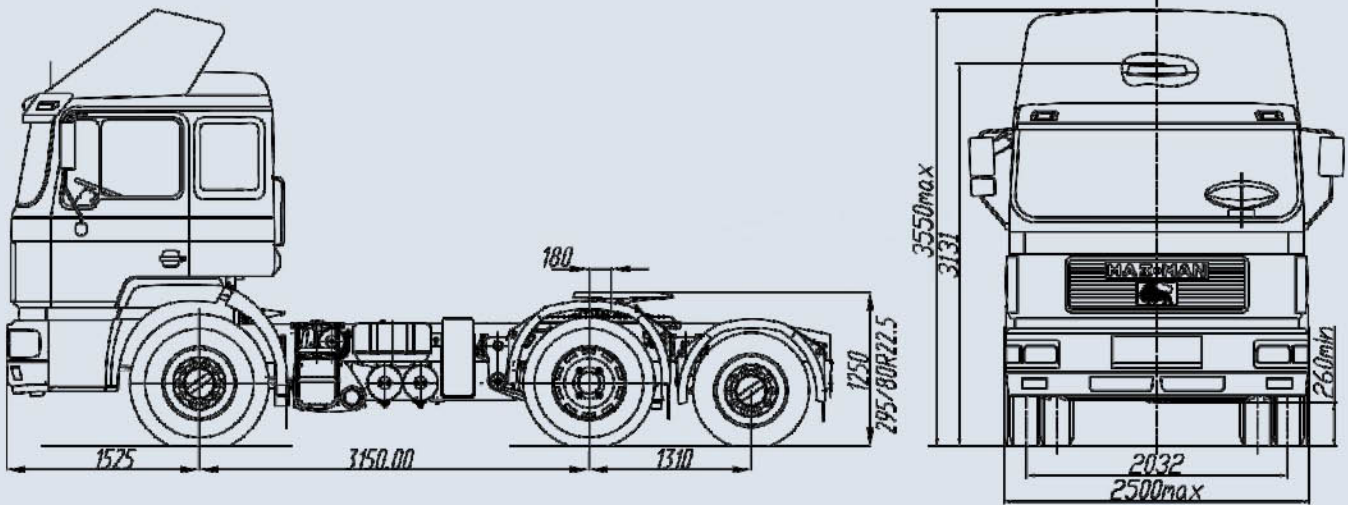
220021, Republic of Belarus, Minsk, Tsentralnaya str., 3A

Tel. (+375 17) 217-62-00; fax 217-62-01

Sales department: (+375 17) 217-62-10, 217-62-14, 217-62-15; fax 217-62-11

Service department: (+375 17) 217-62-46, 217-62-47, 217-62-19; fax 217-62-48

e-mail: sales@maz-man.com <http://www.maz-man.by>



STANDARD MODIFICATION OF TRUCK TRACTOR MAZ-MAN 640168 (6X2)

Technical parameters	<ul style="list-style-type: none"> Gross mass of truck trailer up to 44 000 kg Equipped truck mass 8 300 kg Fifth wheel load up to 16 500 kg * Fifth wheel height (1250 mm) 1150 mm
Engine	<ul style="list-style-type: none"> * MAN D 2866 LF 25 (LF 31); EURO-3; (EURO-2) Engine power - 301 kw (410 h.p.) Electronic control of fuel feed (EDC) Speed limiter (Tempomat) * Anti-slip system (ASR) * Air intake behind the cabin with dry filter element * Exhaust silencer on one side with exhaust to the left
Gearbox	* ZF, type 16 S181,16+2
Clutch	VALEO, one disk, dry clutch with hydraulic drive and pneumatic support
Front axle	Curved beam with needle bearing in swivel coupling
Rear bridge	Drive bridge with planetary wheel gearing and differential's blocking
Axes	* Additional axle non-lifted
Frame	* Heavy duty, cold riveted
Suspension	<ul style="list-style-type: none"> Front suspension three-leaf springs with hydraulic shock-absorbers and stabilizer of cross-stability Rear suspension pneumatic with hydraulic shock absorbers ECAS system automatic adjustment of rear suspension Function of redistribution of load that allows to increase draft dynamics and permits automatic loading of additional axle
Cabin external equipment	<ul style="list-style-type: none"> * Cabin MAN "F-2000" of high roominess Cathodic dip paint-work and cavity sealing * Four-point suspension on helical springs with cross stabilizer and shock-absorber * Sun visor over the windscreen * Plastic front bumper Heated, electrically regulated mirrors: back view (2), panoramic view and curb view Two tool boxes (40 l) on each side
Cabin internal equipment	<ul style="list-style-type: none"> * Two sleeping bunks with round curtains at the front Driver's seat pneumatic suspension "Isringhausen" Three-point safety belts for driver and passenger Steering wheel with regulation of angle and height Tachograph electrical for two drivers "Kienzle" * Electrical glass lift on the right * Pneumatic and electrical horn Door niches, niches above windscreen and between the seats * Outputs for radio connection 12 V, including antenna and loud speaker * Outlet in cabin, 12 V, 180 W * Independent cabin heater "Eberspacher" * Switch for lifting of the first axle on the semi-trailer
Brakes	<ul style="list-style-type: none"> * Dual circuit pneumatic braking system with drum (disc) brakes * Brake system devices "WABCO" Anti-lock braking system (ABS) Pneumatic low noise exhaust valve brake Air dehumidifier for brakes with heating Asbestos-free brake lining
Electrical equipment	<ul style="list-style-type: none"> Alternator 28 V/100A (2240 W) * Battery 2 x 180 A.h. Duplex system of headlights * Two fog back-lights and two back lanterns * Truck headlights on sun visor * Additional halogen and fog headlights
Fuel system	<ul style="list-style-type: none"> Fuel tank 500 l with screen filter Heated main fuel filter * Heated fuel filter water-separator "Separ-2000"
Wheels	<ul style="list-style-type: none"> * Tires - 295/80R22,5; 295/60R22,5 on additional axle * Disks - 22,5-9,00
Accessories	<ul style="list-style-type: none"> Standard tool kit (fire-extinguisher, first-air kit, anti-rolling shoe, etc.) Additional tool kit on frame
Certificates	<ul style="list-style-type: none"> Certificate "3" "Euro-3 sicherer/Euro-3 safe truck" Certificate "S" "Supergrünes und sicherer/Especially green and safe truck (Euro-2)" Certificate "L" "Lärmerme Kraftfahrzeuge/Reduced noise"

* - options are available